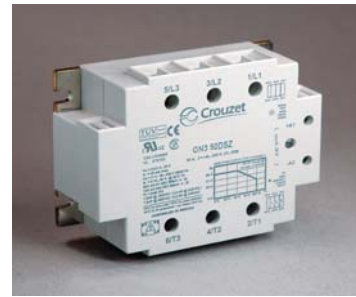


GN3 Series 3 Phase Solid State Relay - DC Input



- ▶ Three-phase solid-state relay
- ▶ Ratings up to 50 amps @ 530Vac
- ▶ DBC substrate for superior thermal performance
- ▶ Epoxy-free design reduces internal corr
- ▶ Back-to-Back dual SCR output for heavy industrial loads
- ▶ 100k-cycle UL508 endurance rating for enhanced reliability
- ▶ No external transient protection required (internal TVS)
- ▶ EMC Compliant for reliable operation in harsh environments
- ▶ UL/CSA/TUV Approved, CE & RoHS Compliant



Output Specifications

Output Current (40°C)	25	50
Voltage range (Vrms) (1)	48-600Vac	48-600Vac
Peak Voltage (Vpk, t = 1 min.)	1100	1100
Off-state leakage mArms		
(without RC / with RC)	0.06 / 3.0	0.06 / 3.0
Minimum Current (mArms)	100	100
1 cycle surge current 50-60 Hz (Apk, Ta = 25°C)	275-300	710-750
1 second surge current 50/60 Hz (Apk, Ta = 25°C)	85	150
Forward voltage drop (Vpk @ Imax, Ta = 40°C)	1.35	1.35
I ² T (50-60Hz, ½ cycle)	380-370	2520-2320
Rjb (thermal res. Junction to baseplate, °C/W)	0.24	0.12
Static off-state dv/dt (Vµs, Ta = 25°C)	500	500
HP Ratings at 240V	1	3
HP Ratings at 480V	3	7.5
HP Ratings at 600V	5	10
Min/Max wire size	16/8 AWG	16/8 AWG
Torque (N-m)	2.4	

Input Specifications

Input voltage	4-32Vdc
Drop out voltage	1Vdc
Min. input current (for on-state)	24mA
Maximum input current	35mA
Input Resistance (Ohms)	Current Regulated
Turn-on time (2)	8.33msec
Turn-off time	8.33msec
Min/Max stranded/solid wire	24/14 AWG
Torque (N-m)	1.9

General Characteristics

Operating Temperature (°C)	-40 to + 80
Storage Temperature (°C)	-40 to + 100
Input to output isolation	2500Vrms
Input/output to ground isolation	4000Vrms
Input to output capacitance	8pF (typical)
Operating Frequency	47 to 63 Hz
Housing Material	UL 94V0 (self extinguishing)
Weight (grams)	360

Standards of Compliance

CE Compliant with the LVD 73/23/EEC	
UL Recognized per UL 508 and CSA C22.2 no. 14-95	
TUV Certified per EN 60950	
IEC 62314	
IEC 60068-2-6	35mm/10-55Hz
IEC 60068-2-27	15G / 11ms
IEC 61000-4-2 Level 3	Electrostatic Discharge
IEC 61000-4-3 Level 3	Radiated Electromagnetic Noise
IEC 61000-4-4 Level 3	Immunity to Electrically Fast Transients
IEC 61000-4-5 Level 3	Immunity to Electrical Surges
IEC 61000-4-6 Level 3	Conducted Electromagnetic Noise
CISPR 11 Class A	Conducted and Radiated Noise for Industrial Environments

Part Numbers

No Snubber	Zero Crossing Output			
	Rating	Output	Input	Part Number
	25 Amp	48-600Vac	4-32Vdc	GN325DLZ
	50 Amp	48-600Vac	4-32Vdc	GN350DLZ
No Snubber	Random Fire Output			
	Rating	Output	Input	Part Number
	25 Amp	48-600Vac	4-32Vdc	GN325DLR
	50 Amp	48-600Vac	4-32Vdc	GN350DLR

Part Numbers

Snubber	Zero Crossing Output			
	Rating	Output	Input	Part Number
	25 Amp	48-530Vac	4-32Vdc	GN325DSZ
	50 Amp	48-530Vac	4-32Vdc	GN350DSZ
Snubber	Random Fire Output			
	Rating	Output	Input	Part Number
	25 Amp	48-530Vac	4-32Vdc	GN325DSR
	50 Amp	48-530Vac	4-32Vdc	GN350DSR

Notes:

- (1) Voltage range for relay with snubber circuit is 48-530Vac.
- (2) Random SSR's turn on in less than 100µs

GN3 Series 3 Phase Solid State Relay - AC Input



- ▶ Three-phase solid-state relay
- ▶ Ratings up to 50 amps @ 530Vac
- ▶ DBC substrate for superior thermal performance
- ▶ Epoxy-free design reduces internal comp
- ▶ Back-to-Back dual SCR output for heavy industrial loads
- ▶ 100k-cycle UL508 endurance rating for enhanced reliability
- ▶ No external transient protection required (internal TVS)
- ▶ EMC Compliant for reliable operation in harsh environments
- ▶ UL/CSA/TUV Approved, CE & RoHS Compliant



Output Specifications

Output Current (40°C)	25	50
Voltage range (Vrms) (1)	48-600Vac	48-600Vac
Peak Voltage (Vpk, t = 1 min.)	1100	1100
Off-state leakage mArms		
(without RC / with RC)	0.06 / 3.0	0.06 / 3.0
Minimum Current (mArms)	100	100
1 cycle surge current 50-60 Hz (Apk, Ta = 25°C)	275-300	710-750
1 second surge current 50/60 Hz (Apk, Ta = 25°C)	85	150
Forward voltage drop (Vpk @ Imax, Ta = 40°C)	1.35	1.35
I ² T (50-60Hz, ½ cycle)	380-370	2520-2320
Rjb (thermal res. Junction to baseplate, °C/W)	0.24	0.12
Static off-state dv/dt (Vµs, Ta = 25°C)	500	500
HP Ratings at 240V	1	3
HP Ratings at 480V	3	7.5
HP Ratings at 600V	5	10
Min/Max wire size	16/8 AWG	16/8 AWG
Terminal Torque (N-m)	2.4	

Input Specifications

Input voltage AC/DC	18-36V	90-140V	180-280V
Drop out voltage AC/DC	2V	10V	10V
Min. input current (for on-state)	15mA	7mA	7mA
Maximum input current	20mA	16mA	20mA
Input Resistance (Ohms)	Current Regulated		
Turn-on time (2)	28mSec	20mSec	20mSec
Turn-off time	30mSec	30mSec	30mSec
Min/Max stranded/solid wire	24/14 AWG	24/14 AWG	24/14 AWG
Terminal Torque (N-m)	1.9		

General Characteristics

Operating Temperature (°C) (3)	-40 to + 80
Storage Temperature (°C)	-40 to + 100
Input to output isolation	4200Vrms
Input/output to ground isolation	4000Vrms
Input to output capacitance	8pF (typical)
Operating Frequency	47 to 63 Hz
Housing Material	UL 94V0 (self extinguishing)
Weight (grams)	360

Standards of Compliance

CE Compliant with the LVD 73/23/EEC	
UL Recognized per UL 508 and CSA C22.2 no. 14-95	
TUV Certified per EN 60950	
IEC 62314	
IEC 60068-2-6	35mm/10-55Hz
IEC 60068-2-27	15G / 11ms
IEC 61000-4-2 Level 3	Electrostatic Discharge
IEC 61000-4-3 Level 3	Radiated Electromagnetic Noise
IEC 61000-4-4 Level 3	Immunity to Electrically Fast Transients
IEC 61000-4-5 Level 3	Immunity to Electrical Surges
IEC 61000-4-6 Level 3	Conducted Electromagnetic Noise
CISPR 11 Class A	Conducted and Radiated Noise for Industrial Environments

Part Numbers

Zero Crossing Output				
Rating	Output	Input	Part Number	
25 Amp	48-600Vac	180-260VAC	GN325ALZ	
25 Amp	48-600Vac	90-140VAC	GN325BLZ	
25 Amp	48-600Vac	18-36Vac	GN325ELZ	
50 Amp	48-600Vac	180-260VAC	GN350ALZ	
50 Amp	48-600Vac	90-140VAC	GN350BLZ	
50 Amp	48-600Vac	18-36Vac	GN350ELZ	

Part Numbers

Random Fire Output				
Rating	Output	Input	Part Number	
25 Amp	48-600Vac	180-260VAC	GN325ALR	
25 Amp	48-600Vac	90-140VAC	GN325BLR	
25 Amp	48-600Vac	18-36Vac	GN325ELR	
50 Amp	48-600Vac	180-260VAC	GN350ALR	
50 Amp	48-600Vac	90-140VAC	GN350BLR	
50 Amp	48-600Vac	18-36Vac	GN350ELR	

Part Numbers

Zero Crossing Output				
Rating	Output	Input	Part Number	
25 Amp	48-530Vac	180-260VAC	GN325ASZ	
25 Amp	48-530Vac	90-140VAC	GN325BSZ	
25 Amp	48-530Vac	18-36Vac	GN325ESZ	
50 Amp	48-530Vac	180-260VAC	GN350ASZ	
50 Amp	48-530Vac	90-140VAC	GN350BSZ	
50 Amp	48-530Vac	18-36Vac	GN350ESZ	

Part Numbers

Random Fire Output				
Rating	Output	Input	Part Number	
25 Amp	48-530Vac	180-260VAC	GN325ASR	
25 Amp	48-530Vac	90-140VAC	GN325BSR	
25 Amp	48-530Vac	18-36Vac	GN325ESR	
50 Amp	48-530Vac	180-260VAC	GN350ASR	
50 Amp	48-530Vac	90-140VAC	GN350BSR	
50 Amp	48-530Vac	18-36Vac	GN350ESR	

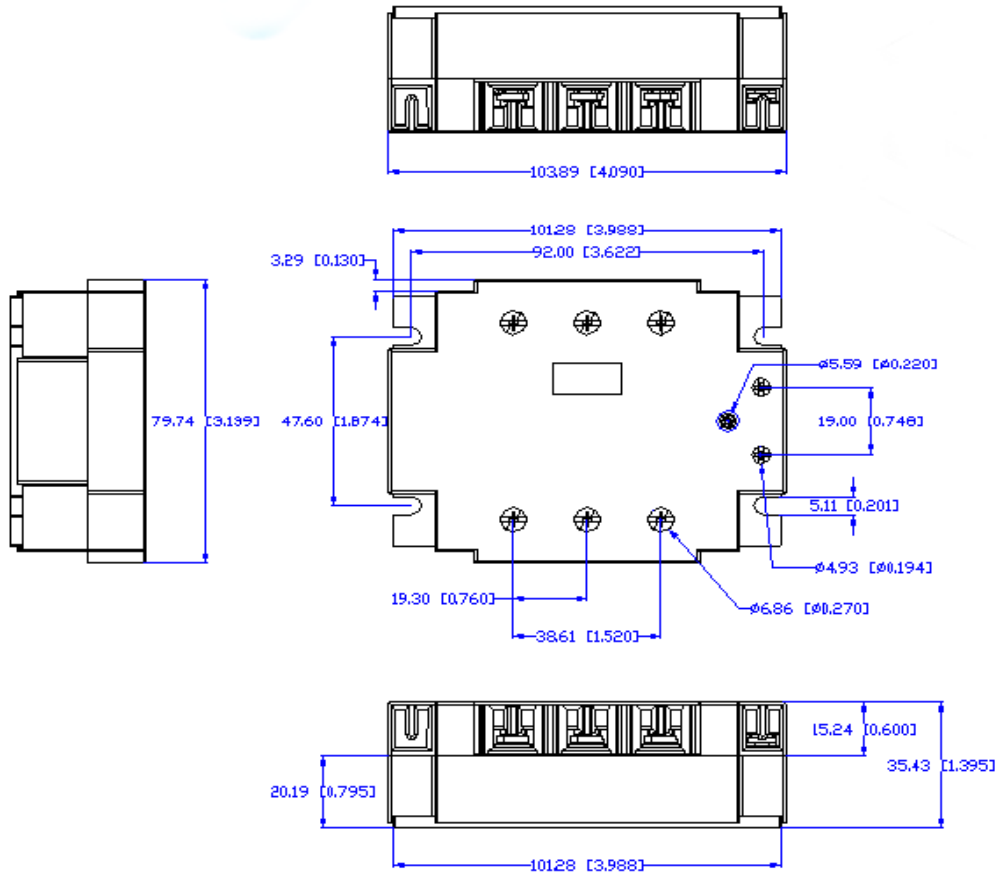
Notes:

- (1) Voltage range for relay with snubber circuit is 48-530Vac.
- (2) Random AC input SSR's turn-on is 20mS
- (3) Operating temperature for 180-260VAC input is -20 to +60°C

Dimensional Drawings For GN3

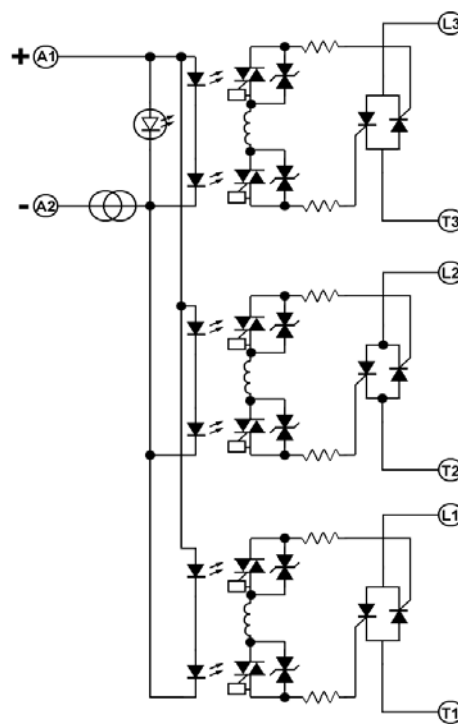
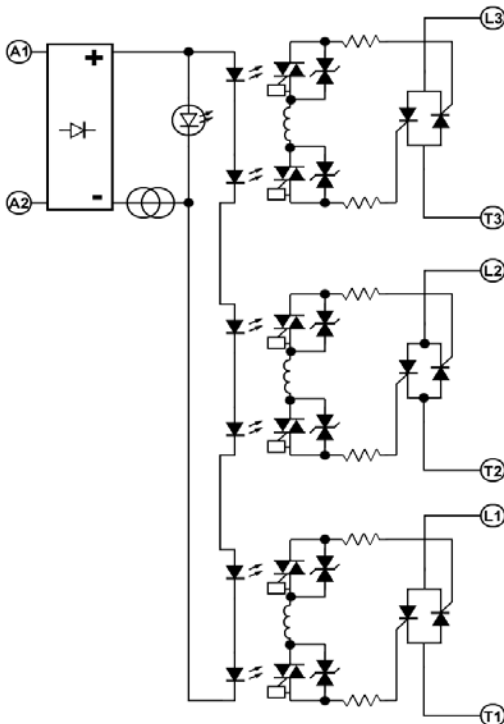


Dimensions mm (inches)

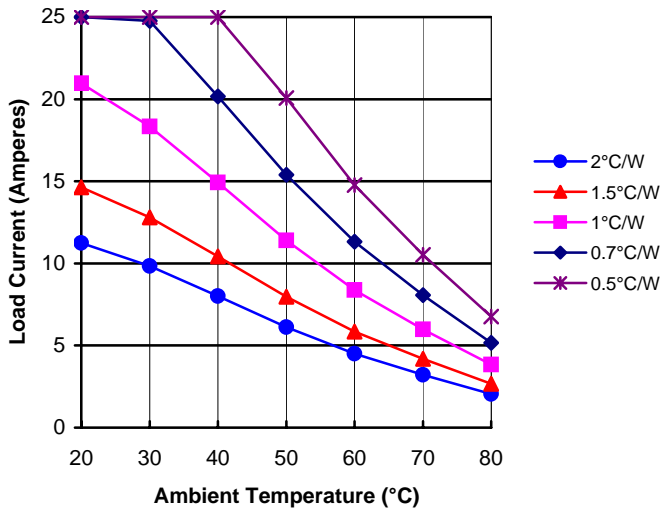


AC Input Equivalent Circuit no Snubber

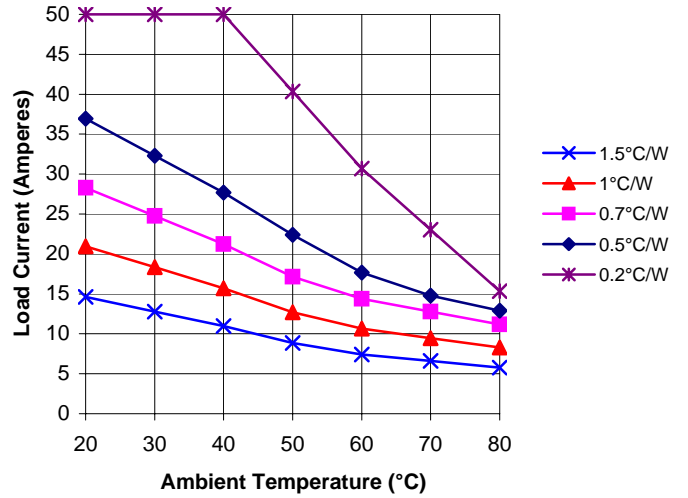
DC Input Equivalent Circuit no Snubber



DERATE CURVES:
GN3 3 Phase SSR 25A



DERATE CURVES:
GN3 3 Phase SSR 50A



AC Input Equivalent Circuit with Snubber

DC Input Equivalent Circuit with Snubber

